

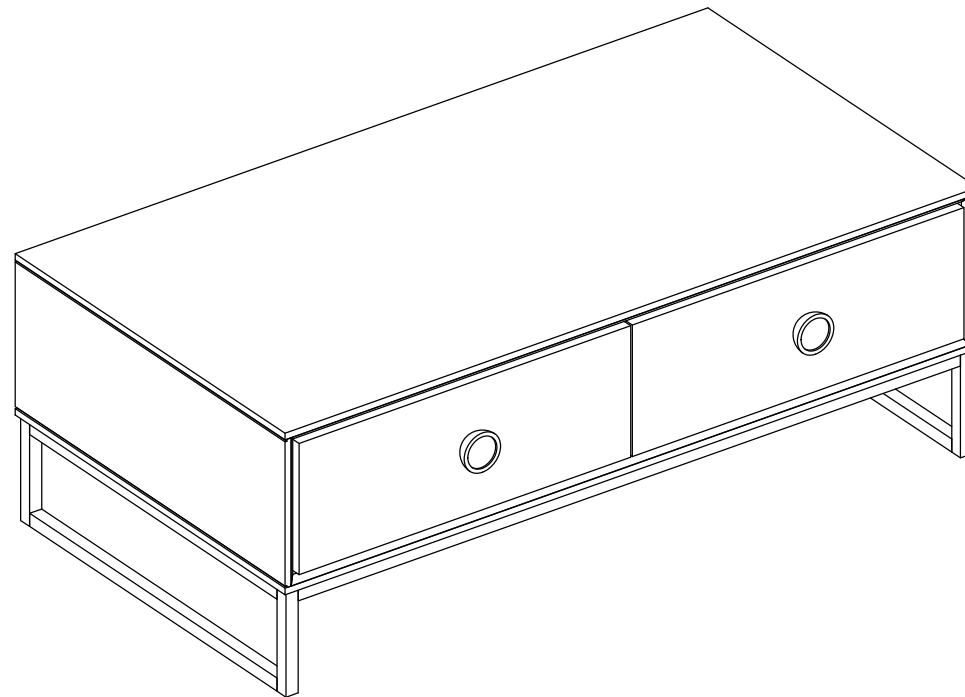
MOE'S

home collection

ASSEMBLY INSTRUCTIONS.

HEATH COFFEE TABLE

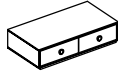
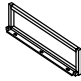
RP-1002-24





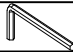

THANK YOU FOR YOUR PURCHASE!

PARTS AND HARDWARE.

PART LIST

NO.	DESCRIPTION	IMAGE	QTY
P1.	Structure		1
P2.	Leg		2

HARDWARE LIST

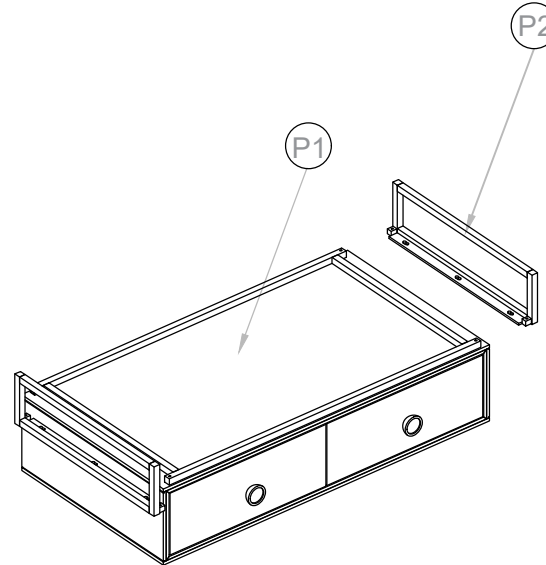
NO.	DESCRIPTION	IMAGE	QTY
H1.	Allen bolt -M6-16MM		6
H2.	Washer		6
H3.	Allen key-4MM		1
H4.	Allen bolt -M6-12MM		4

NOTES.

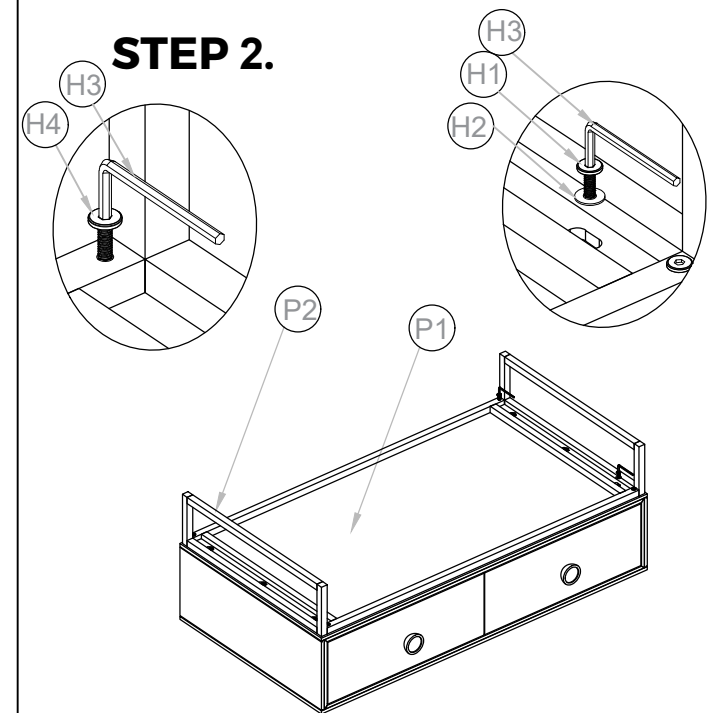
Thank you for purchasing this quality Product! Be sure to check all packing material carefully for small part that may have come loose inside the carton during shipping.

CAUTION: The item is heavy, assembly should be performed by two people.

STEP 1.



STEP 2.



STEP 3.

